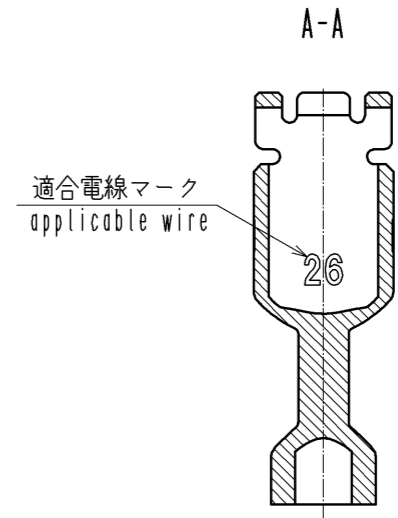
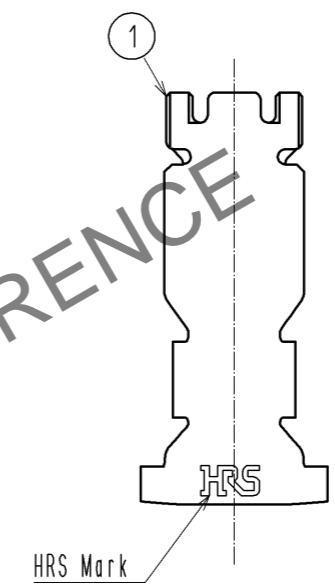
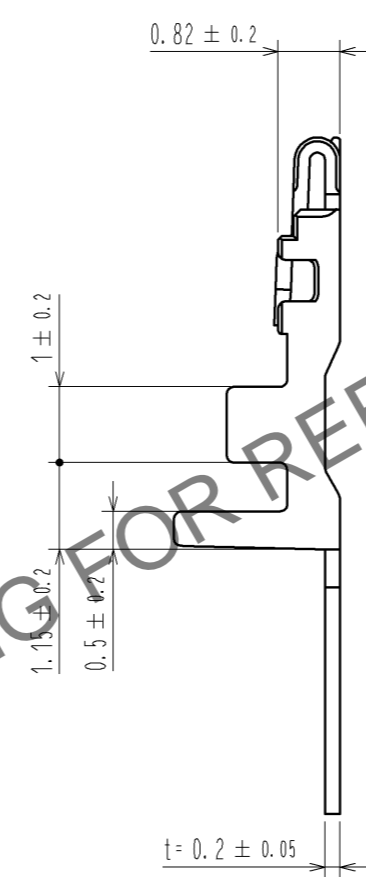
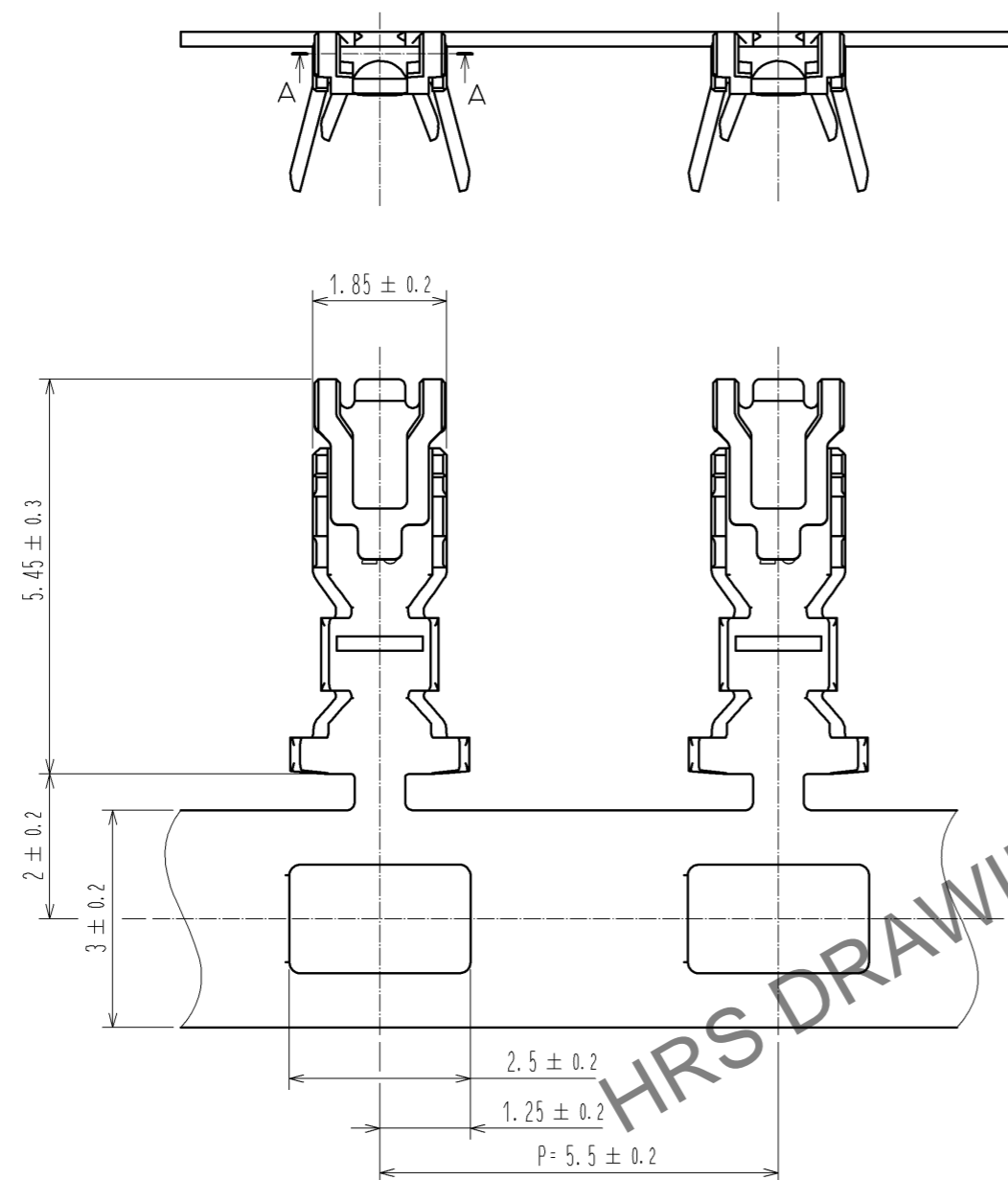
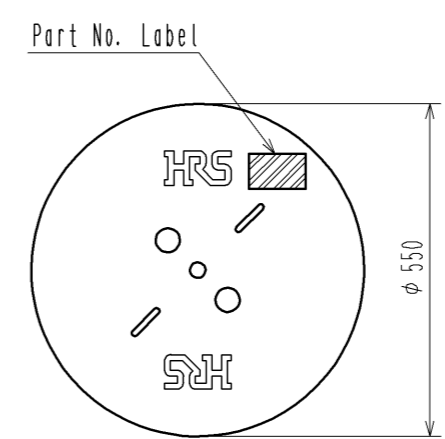


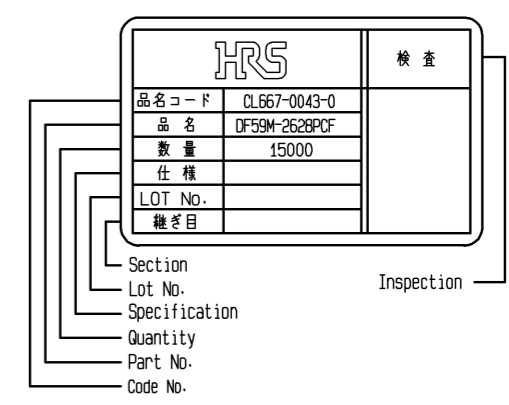
May.1.2024 Copyright 2024 HIROSE ELECTRIC CO., LTD. All Rights Reserved.
 In case of consideration for using Automotive equipment / device which demand high reliability, kindly contact our sales window correspondents.



2 Reel style and dimensions



Detail Of Part No. Label



- Notes
- 1RL : 15000 contacts.
 - 2 Style of reel and box are shown in figure.
 3. Please be sure to check the form of crimping using a cable when you adjust applicator.
 4. Always refer to the manuals below for operation of this product.
 For Cable assembly / Cable assembly procedure ETAD-H0778
 For Mating/Unmating / Operation manual ETAD-H0779

NO.	MATERIAL	FINISH . REMARKS	NO.	MATERIAL	FINISH . REMARKS
1	Copper Alloy	Surface :Tin plating 1μm MIN			

UNITS	SCALE	COUNT	DESCRIPTION OF REVISIONS	DESIGNED	CHECKED	DATE
mm	10 : 1	△				
APPROVED : HK. UMEHARA			14. 05. 20	DRAWING NO. EDC3-356516-01		
CHECKED : HK. UMEHARA			14. 05. 20	PART NO. DF59M-2628PCF		
DESIGNED : SZ. ONO			14. 05. 20	CODE NO. CL667-0043-0-00		
DRAWN : SZ. ONO			14. 05. 20	1/1		